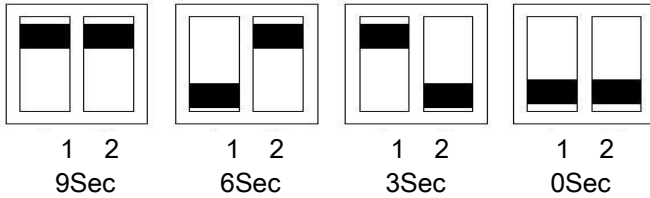


SPECIFICATION

Door monitoring output(reel sensor NO/NC)	SUPPLY VOLTAGE	START CURRENT	STANDBY CURRENT	Material
YES	12 VDC	900 mA	380 mA	Aluminum

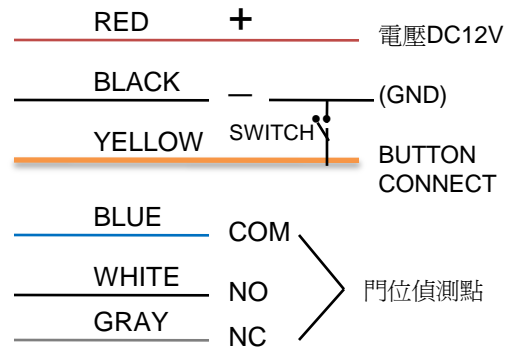


ELECTRICAL & DELAY TIME SETTING



RED : + **BLACK :-** **YELLOW:EXIT PB(forbid voltage)**

BLUE : COM **WHITE : NO** **GRAY : NC**

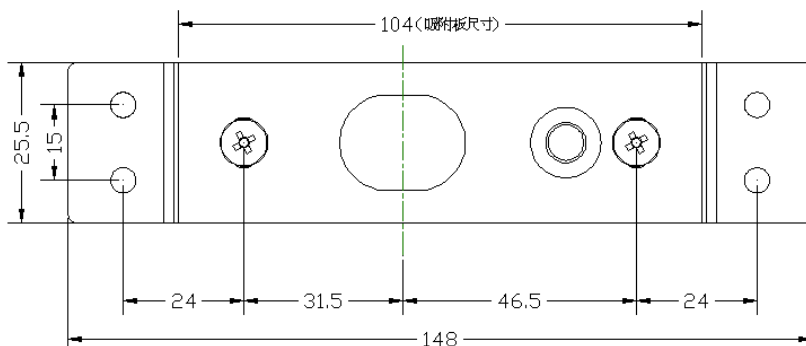
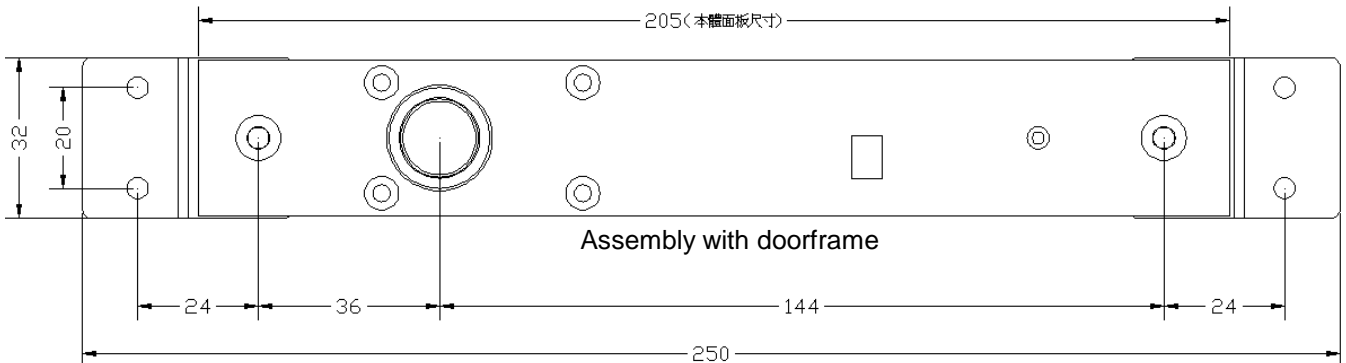


Note:

Open upon current off, with push button, contactor, re-lock in 5 seconds.

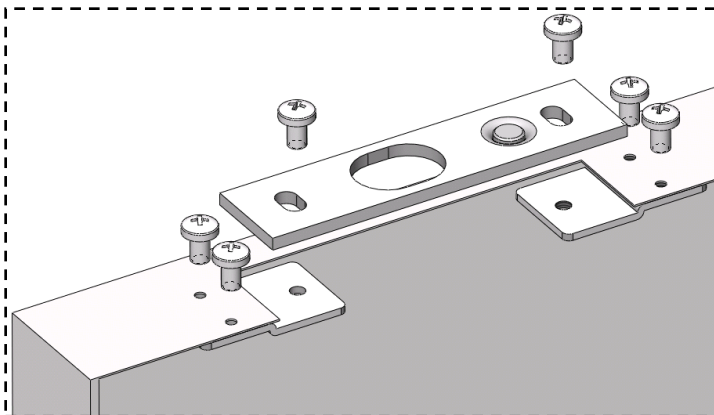
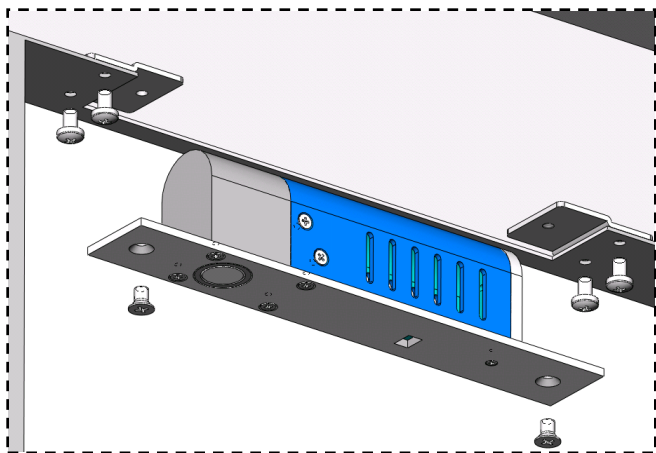
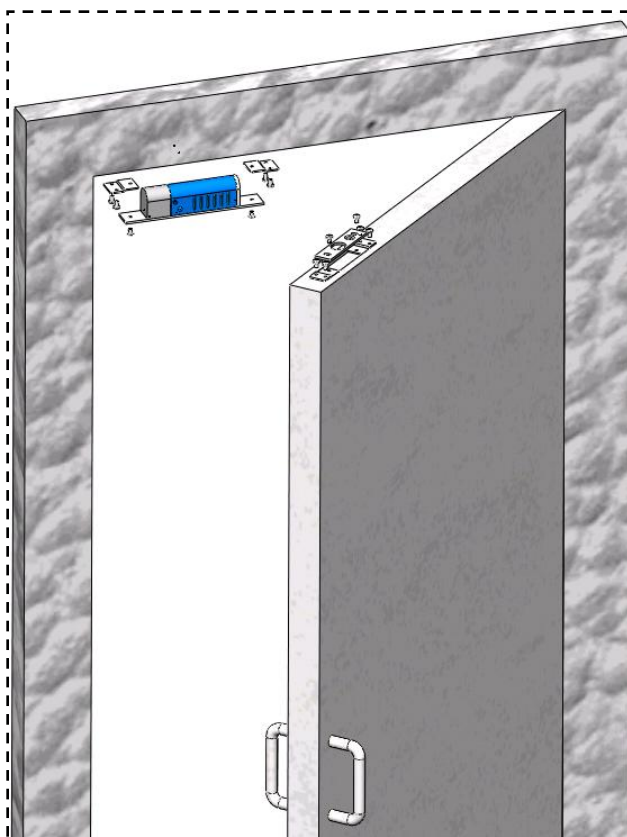


DIMENSION





ASSEMBLY DIAGRAM



CAUTION

- 1.Re-check the bolt is not on duty and proper direction.
- 2.Make sure the wire(+、-) is not uncrowded or wrong direction.
- 3.The temperature of electronic current have to keep under 50°C.If not, the fuse will not be operate.