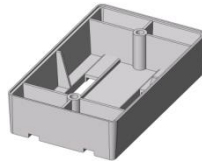




Button INSTALL INSTRUCTION

Lien Kuan
Electro-Magnetic Lock

LKA1-L/ LKB1-L



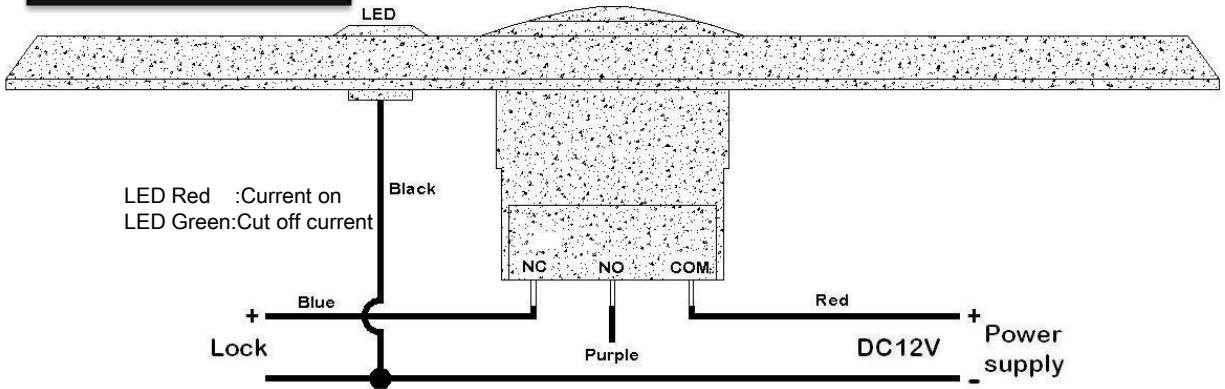
LKA1-L/LKB1-L

LKS

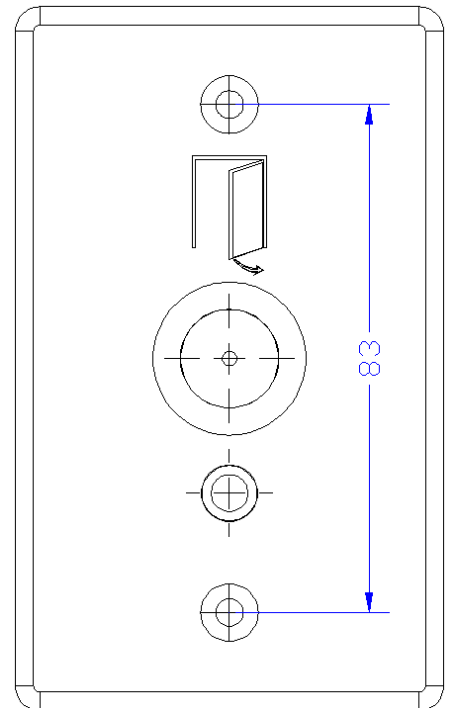
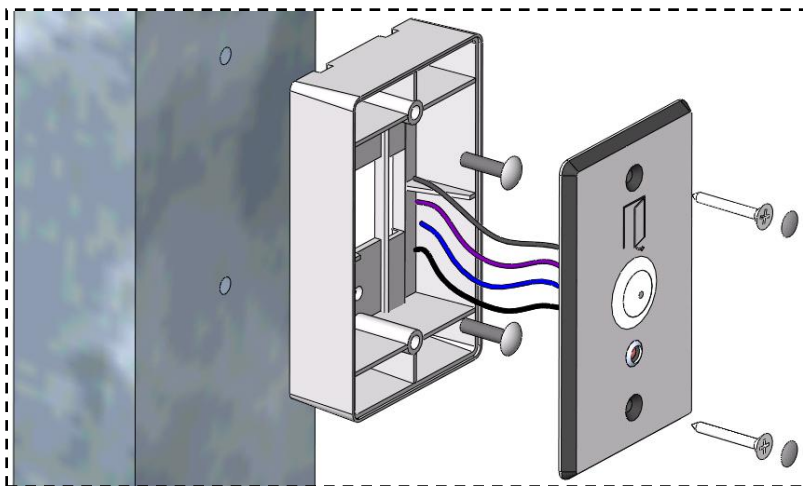
SPECIFICATION

SUPPLY VOLTAGE	Current	Plate Material	Button Material
125/250 VAC	5A	Aluminum	Stainless steel

ELECTRICAL CONNECTION



Dimension & Assembly



Lien Kuan Electro-Magnetic Lock company Taiwan.

Tel: (886)2-29991456 <http://www.lienkuan.com>