

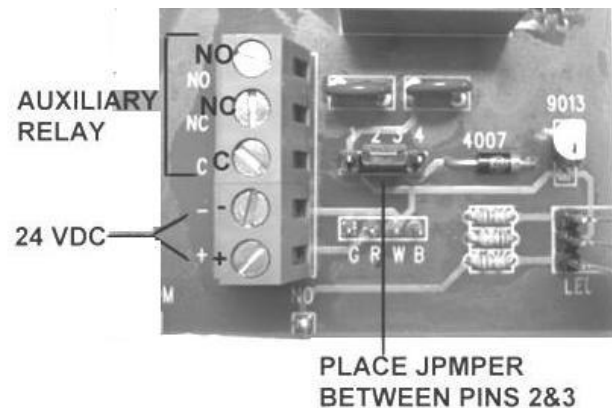
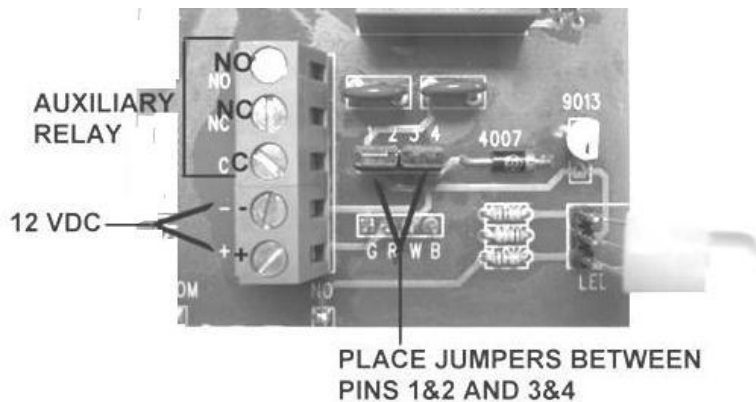
SPECIFICATION

Door monitoring output (Relay Form C)	LED INDICATOR	Delay time 0-40 secs	INPUT VOLTAGE	CURRENT DRAW
EM-500	YES	YES	12 TO 24 VDC	12VDC-500mA 24VDC-250mA
EM-501	YES	YES		
EM-502	NO	NO		

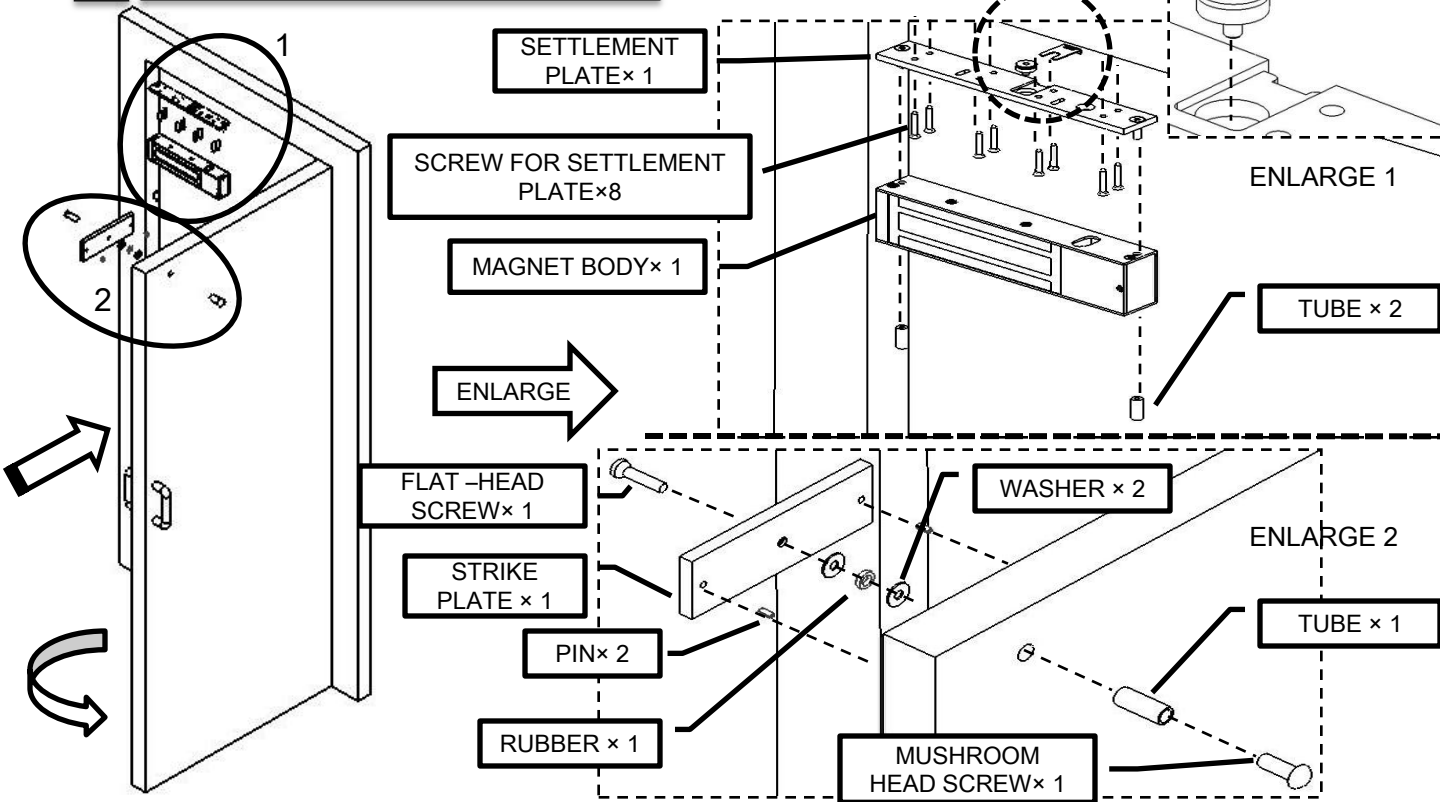
HOLDING FORCE	SURFACE MAGNET DIMENSION	STRIKE PLATE DIMENSION
1200 LBS	266×73.5×40 mm	185×61×16 mm



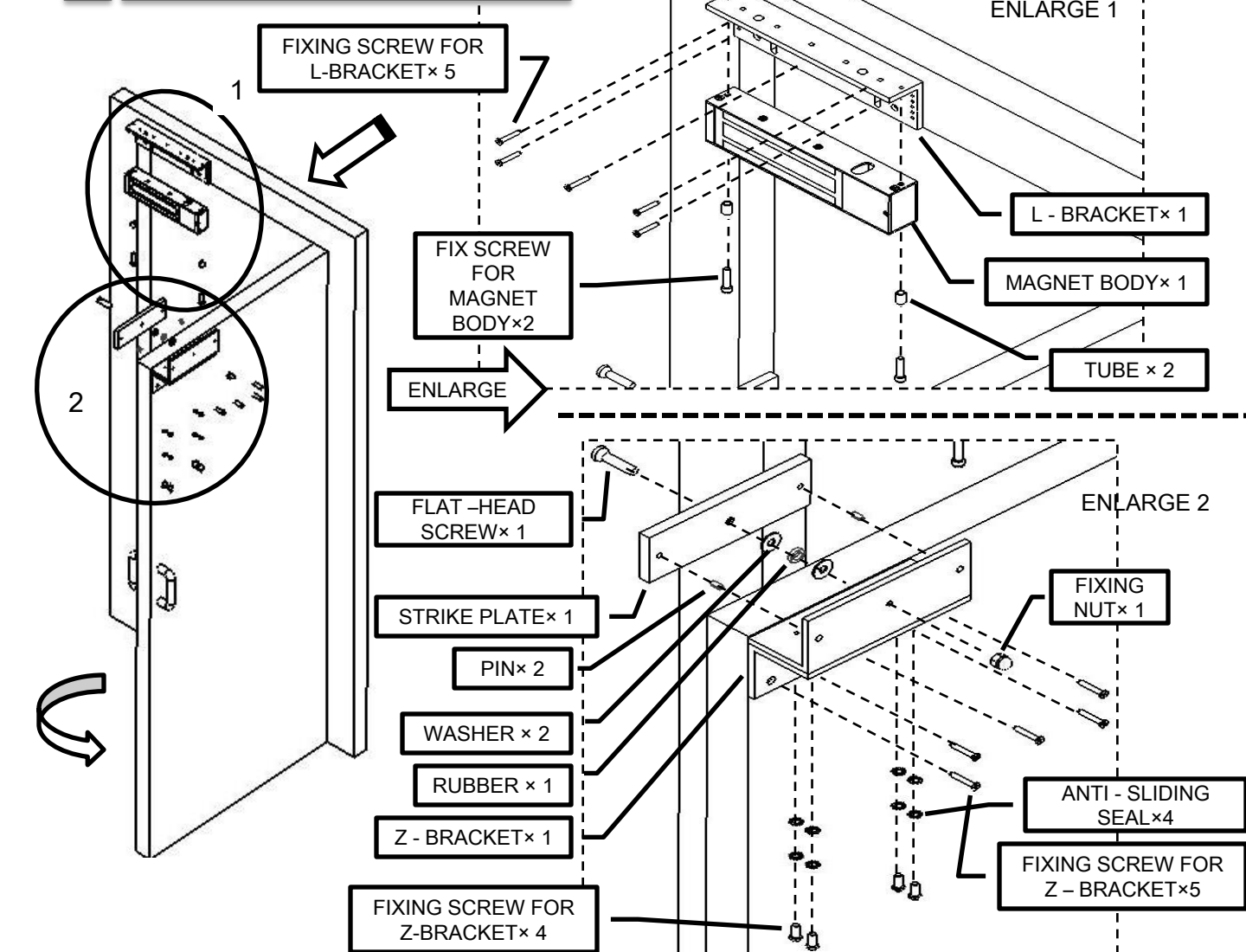
ELECTRICAL INSTALLATION



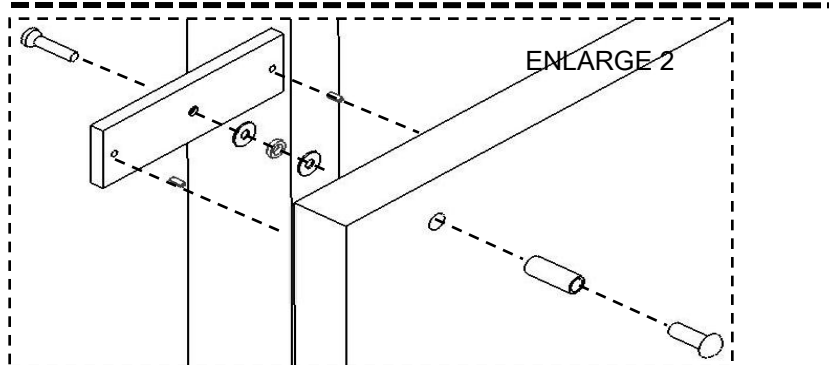
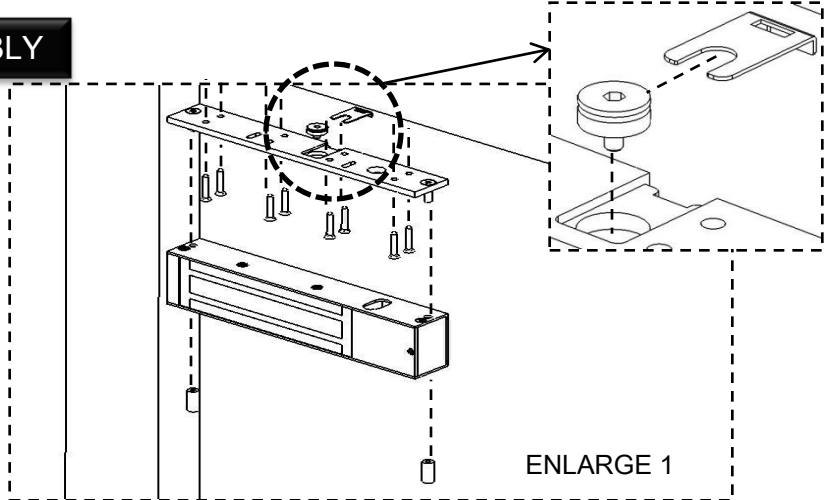
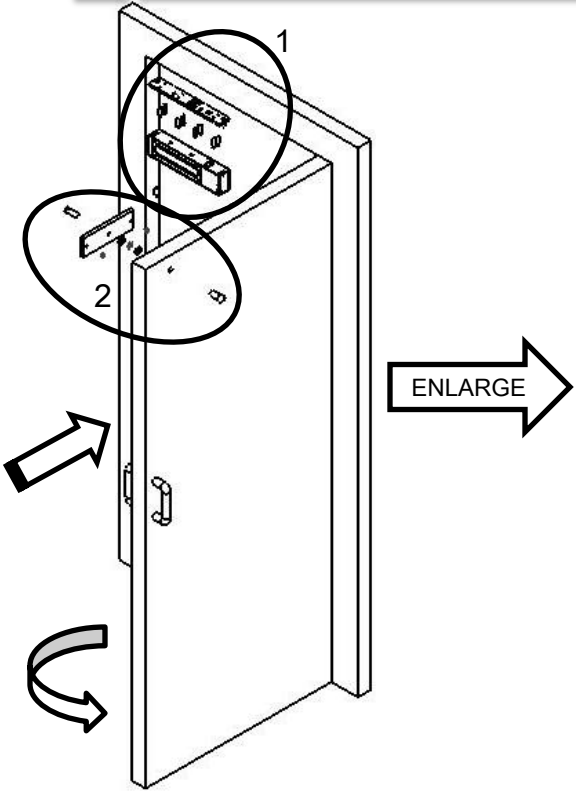
OUT SWING DOOR ASSEMBLY



IN SWING DOOR ASSEMBLY



OUT SWING DOOR ASSEMBLY



IN SWING DOOR ASSEMBLY

