



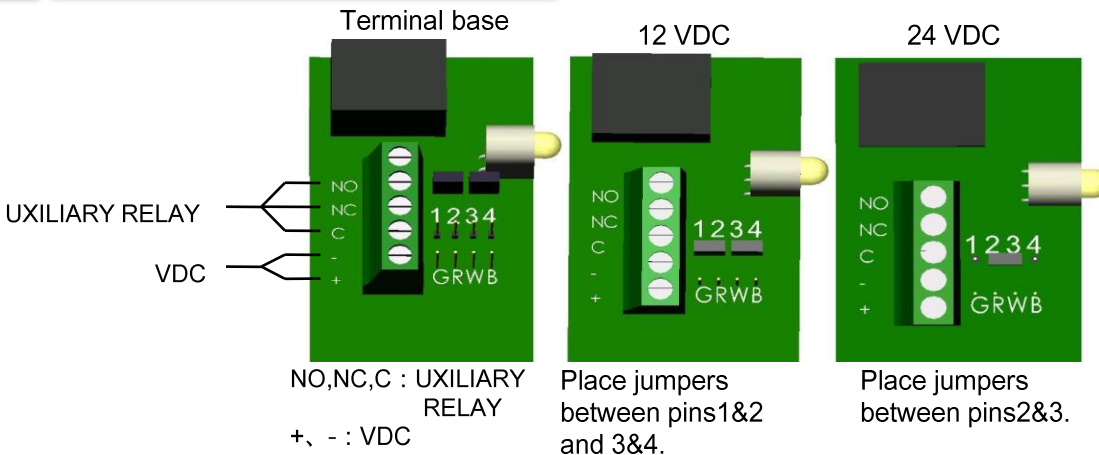
SPECIFICATION

Door monitoring output (Relay Form C)		LED INDICATOR	Delay time 0~40 secs	INPUT VOLTAGE	CURRENT DRAW
EM-250A	YES	YES	NO	12 TO 24 VDC	12VDC-500mA 24VDC-250mA
EM-251A	YES	YES	YES		
EM-252A	NO	NO	NO		

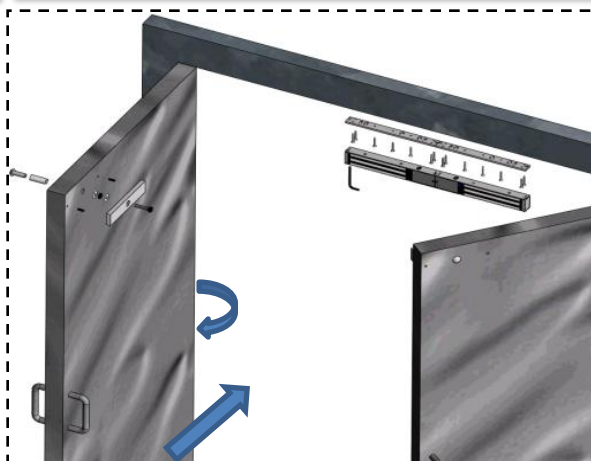
HOLDING FORCE	SURFACE MAGNET DIMENSION	STRIKE PLATE DIMENSION
600 LBS	502×47×25 mm	185×38×12 mm



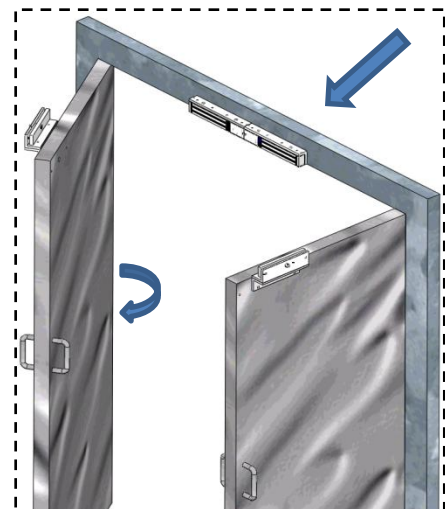
ELECTRICAL INSTALLATION



IN SWING DOOR & OUT SWING DOOR



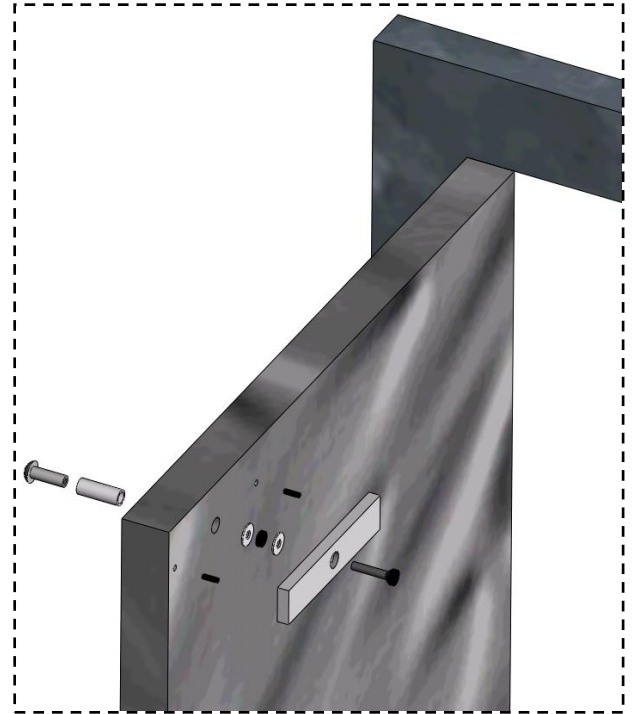
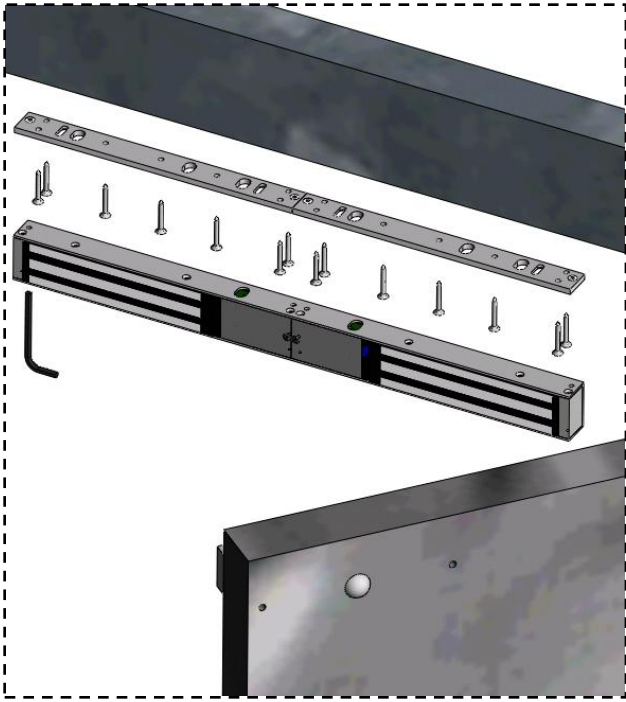
OUT SWING DOOR



IN SWING DOOR



OUT SWING DOOR ASSEMBLY



IN SWING DOOR ASSEMBLY

