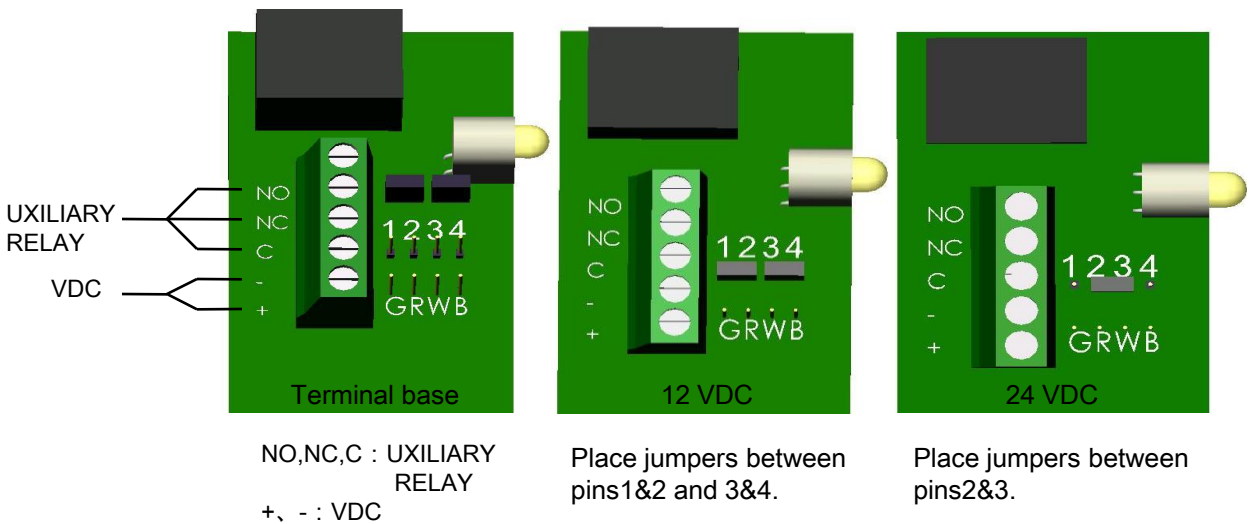


### SPECIFICATION

Door monitoring output (Relay Form C)		LED INDICATOR	Delay time 0~40 secs	INPUT VOLTAGE	CURRENT DRAW
EM-250	YES	YES	NO	12 TO 24 VDC	12VDC-400mA 24VDC-250mA
EM-251	YES	YES	YES		
EM-252	NO	NO	NO		
EM-250R	YES	YES	10~20 secs		

HOLDING FORCE	SURFACE MAGNET DIMENSION	STRIKE PLATE DIMENSION
600 LBS	251×47×25 mm	185×38×12 mm

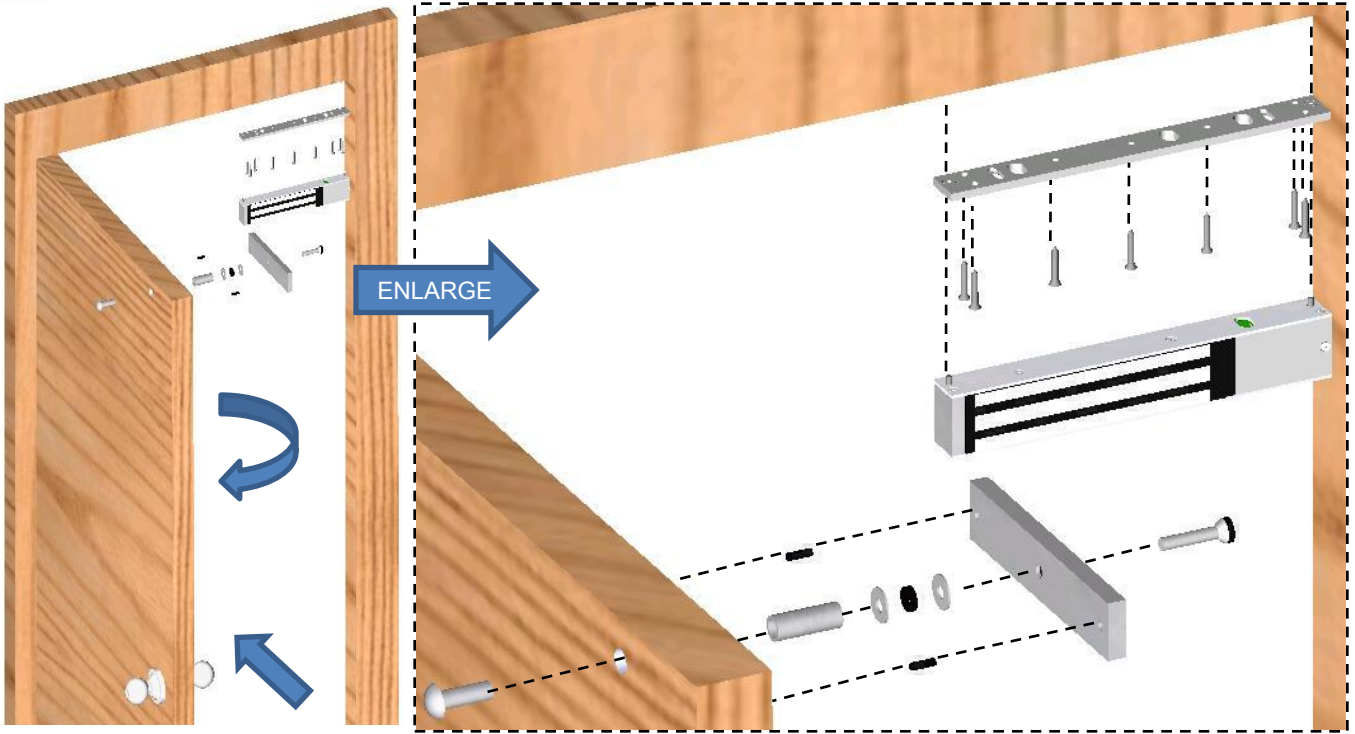
### ELECTRICAL INSTALLATION



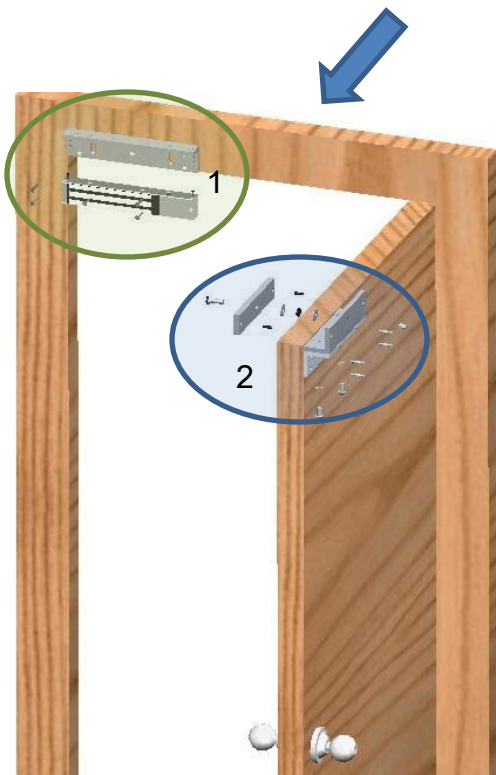
EM-250/EM-251/EM-252



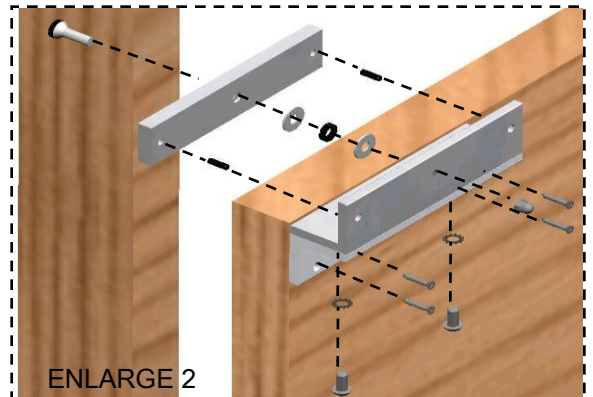
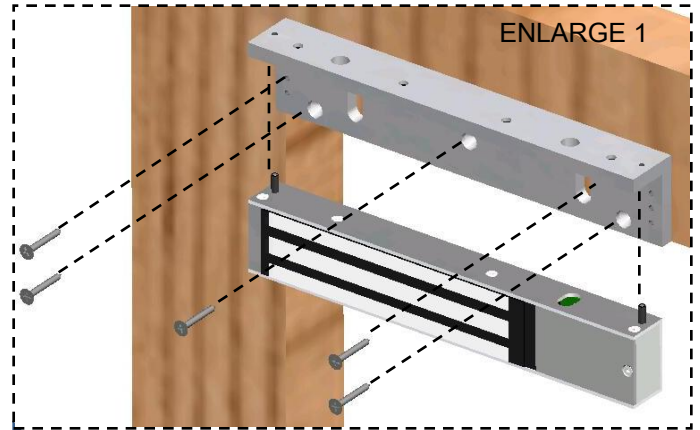
# OUT SWING DOOR ASSEMBLY



# IN SWING DOOR ASSEMBLY

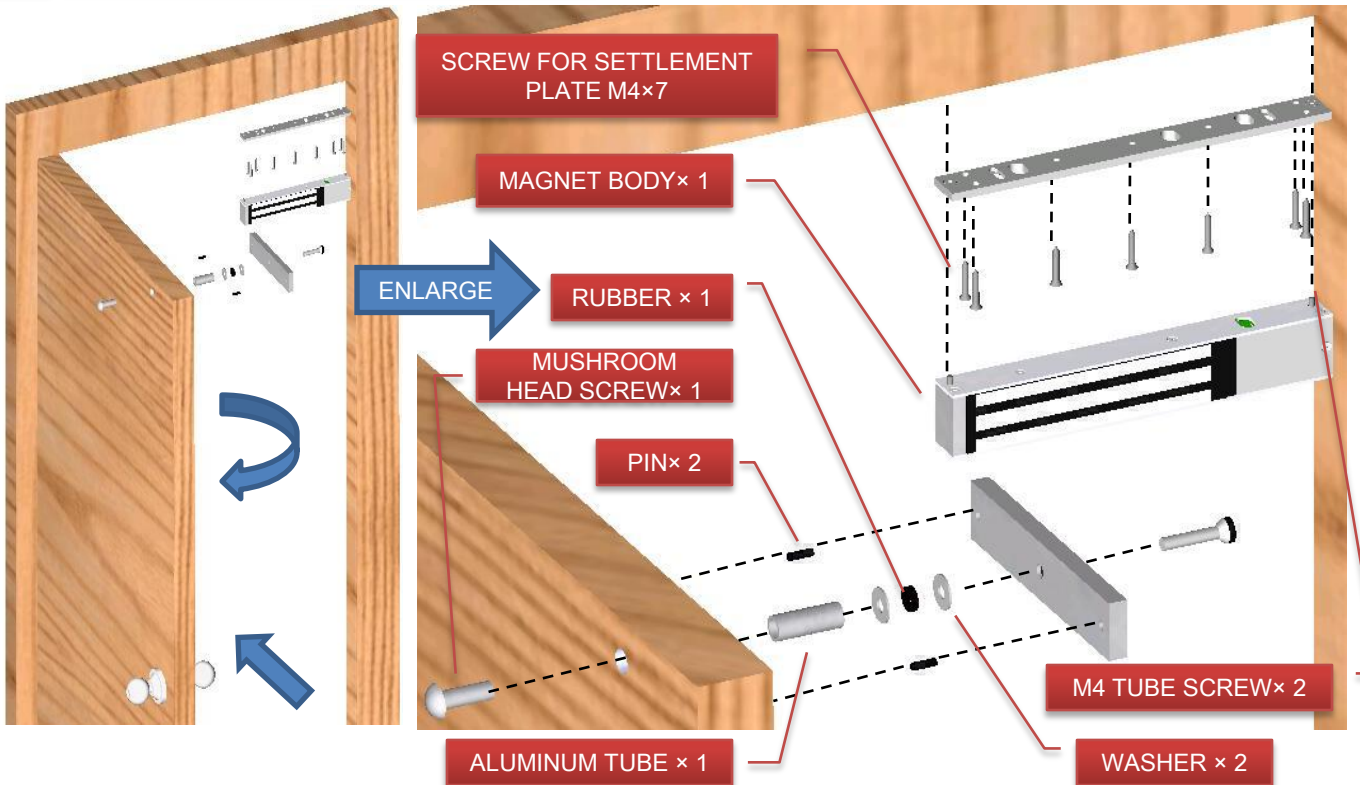


ENLARGE





# OUT SWING DOOR ASSEMBLY



# IN SWING DOOR ASSEMBLY

