

ELECTRIC BOLT INSTALL INSTRUCTION

LK-1201B

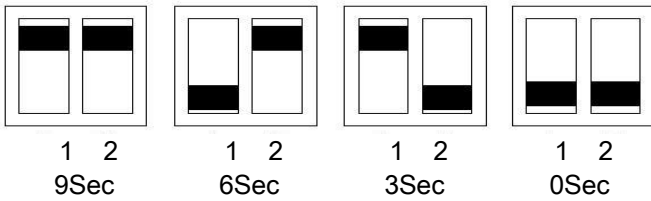


SPECIFICATION

Door monitoring output(reel sensor NO/NC)	SUPPLY VOLTAGE	START CURRENT	STANDBY CURRENT	Material
YES	12 VDC	900 mA	320 mA	Aluminum

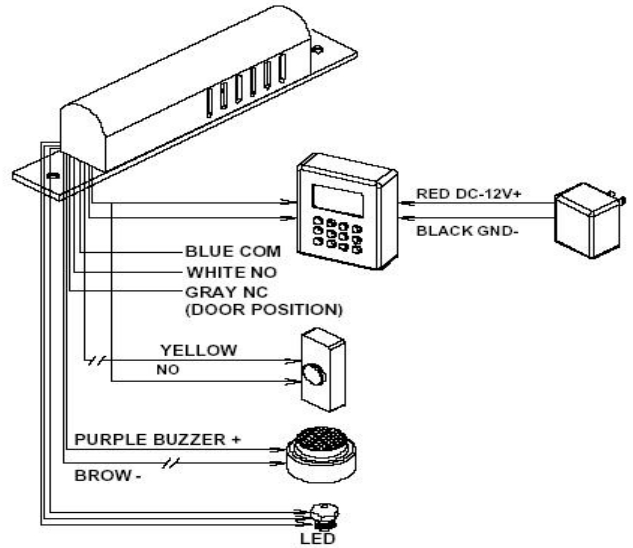
1. Can connect to external alarm device.
2. Can only connect to push button, re-lock function in 5 seconds.
3. LED indicator light.
4. Lock bolt position checking.
5. Power + - reverse protected.

ELECTRICAL & DELAY TIME SETTING



RED : + **BLACK :-** **YELLOW : Exit PB**

BLUE : COM **WHITE : NO** **GRAY : NC**



Note:
Open upon current off, with push button, contactor, re-lock in 5 seconds.

LED LIGHT INDICATION

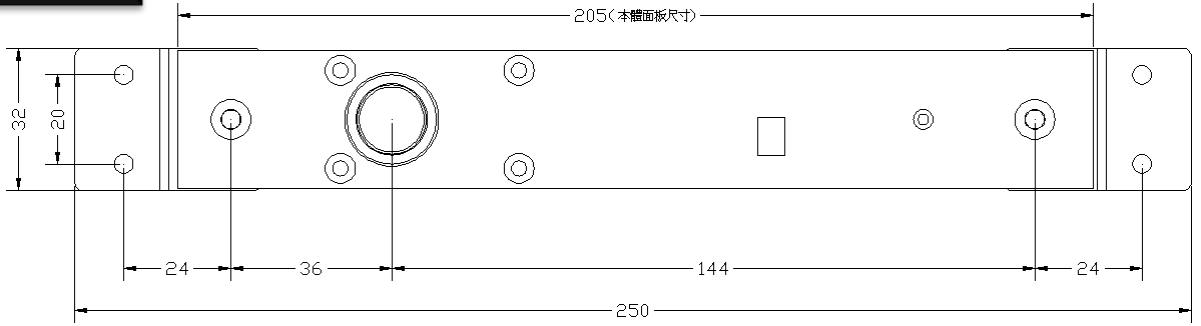
Red	Electrical power normal.
Red flashing	The door is under closing.
Green	The door is properly closed.
Green flashing	The sensor with delay time action normal, when close the door.
Orange flashing	Door lock has been damaged or buzzer is on.

TROUBLE SHOOTING

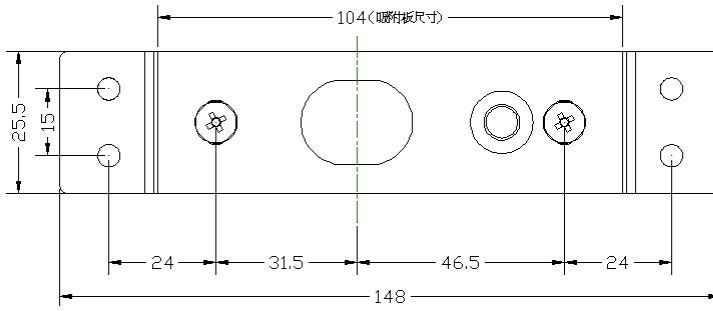
1. Door bolt plate has been moved or place at wrong direction.
2. Check the positive (+) and negative (-) line is connected correctly.
3. Check the fuse is burned or not, due to high electric current. (turn off the power, change the fuse, and restart the machine)
4. The LED indicator light can show the situation, when the lock is not work.



DIMENSION



Assembly with doorframe



Assembly with door



ASSEMBLY DIAGRAM

