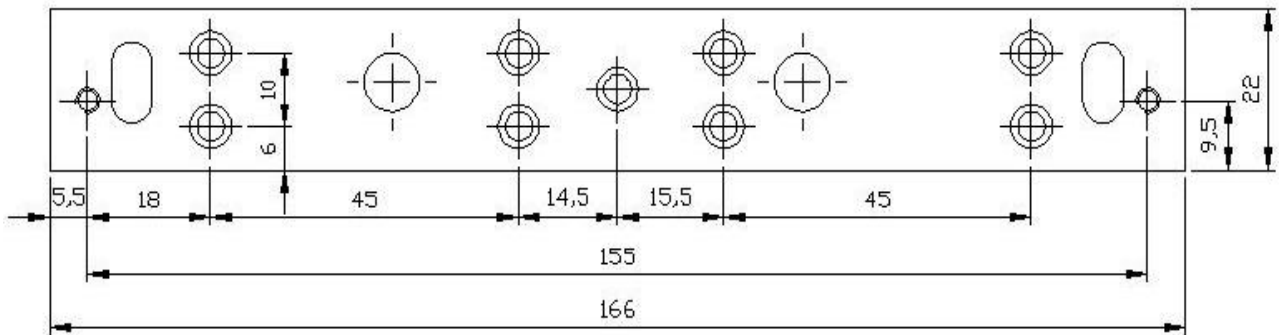


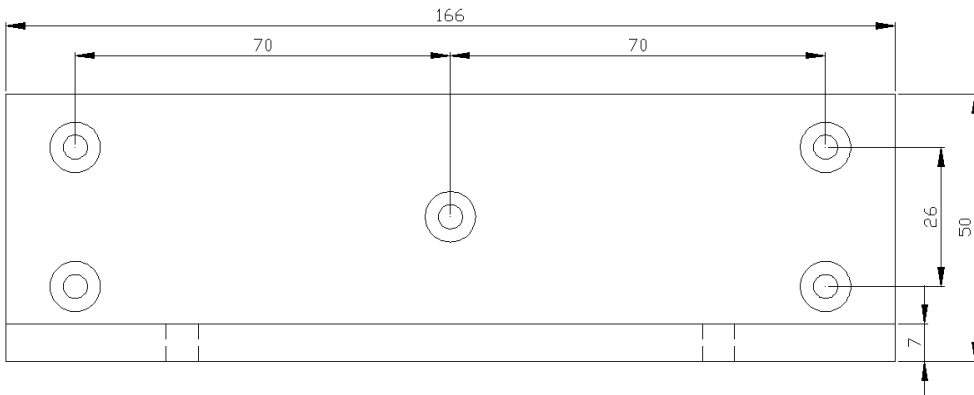
### SPECIFICATION

Door monitoring output (Relay Form C)	INPUT VOLTAGE	CURRENT DRAW	HOLDING FORCE	SURFACE MAGNET DIMENSION	STRIKE PLATE DIMENSION
EM-150	YES	12 TO 24 VDC	12VDC-370mA 24VDC-185mA	166×38.5×21 mm	130×32×10 mm
EM-151	NO		300 LBS		

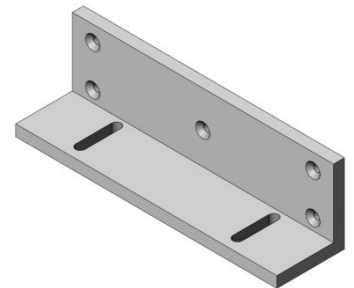
### FIXING DIMENSION



SETTLEMENT PLATE DIMENSION

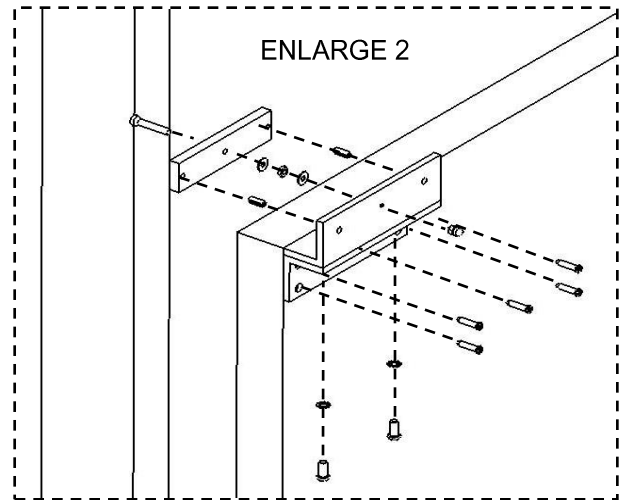
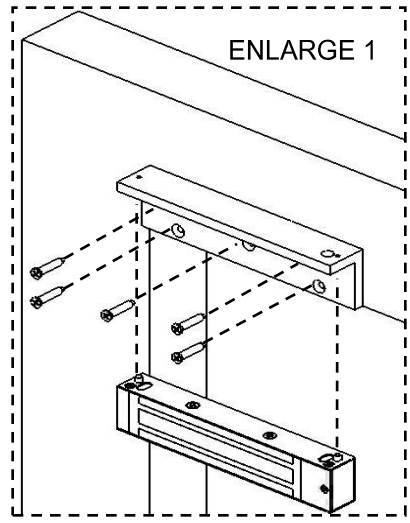
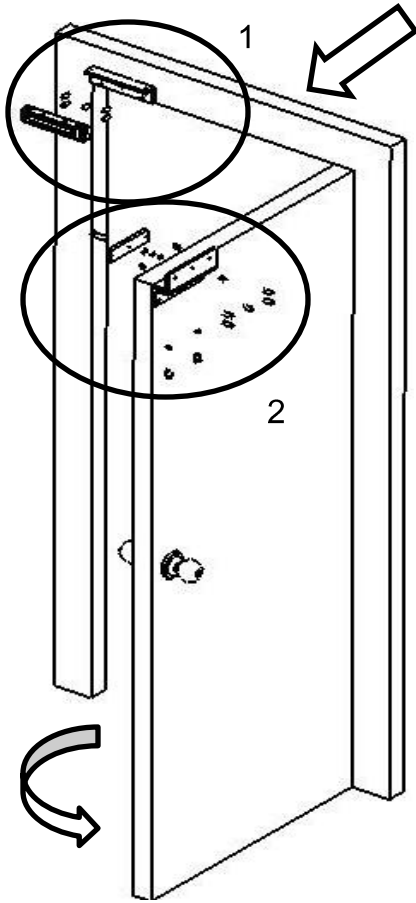


Z - BRACKET DIMENSION





# EM-150 IN -SWING DOOR ASSEMBLY



# EM-150 OUT -SWING DOOR ASSEMBLY

